

Stationary Destruction Auger Compactor



Model: SPhd15-A-90

The Pakmor Stationary Destruction Auger Compactor is specifically designed for product destruction of large volumes of waste material. The machine can be used for both Product Destruction and or Dewatering.

An Auger turns, crushing and forcing waste into screened squeezing chamber. The chamber discharge is restricted by two heavy duty hydraulic doors maintaining constant pressure against the waste. When the waste reaches sufficient compaction, the door partially open to allow product to exit the compaction chamber.

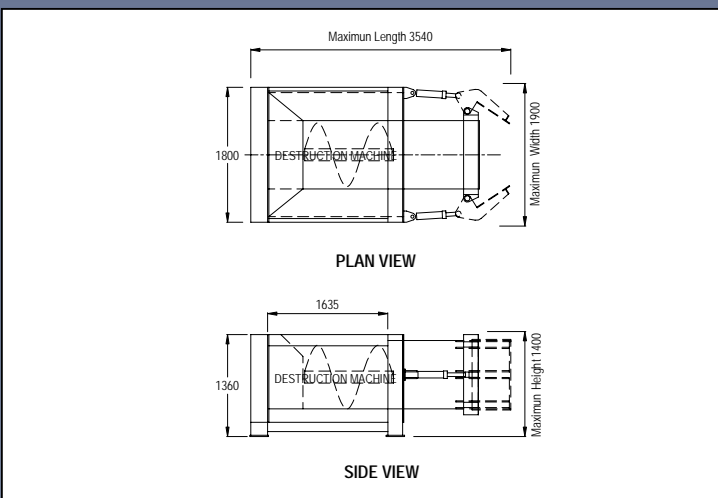
The SPhd15-A-90 Destruction Machine is ideal for destroying goods such as computers, TV's, monitors, electrical components etc. The machine can also be used for removing liquid from packaging.

Screen size, Loading Hoppers, Bin Lifters, cycle times, etc are all customised to suit site requirements.



Specifications:

Auger Diameter : 900 mm
Auger Speed : 8 rpm
Motor Drive : 10 kw
Head Weight : 2250 Kg
Power Supply : 415 volt, 3 phase, 32 amp, 5 Pin



Schematic Layout:

Stationary Destruction Auger Compactor

All dimensions are in mm

PAKMOR

PAKMOR Waste Equipment Aust. Pty. Ltd



PAKMOR Waste Equipment Aust. Pty. Ltd

P.O. Box 6044

SOUTH WINDSOR NSW 2756

email: sales@pakmor.com.au

Phone: +61 2 4577 3099

Fax: +61 2 4577 3022

website: www.pakmor.com.au